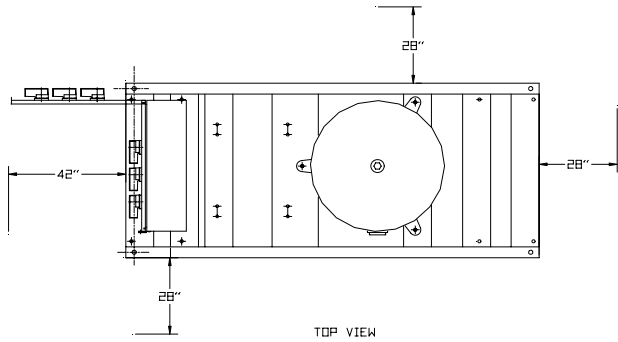


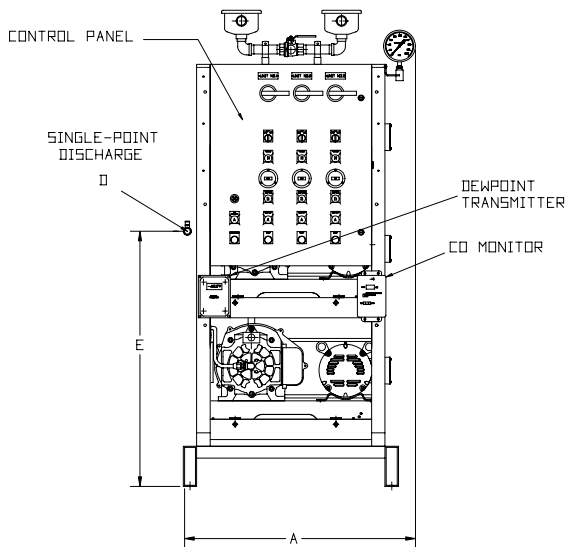
# Medical Scroll Skid Mounted Packages



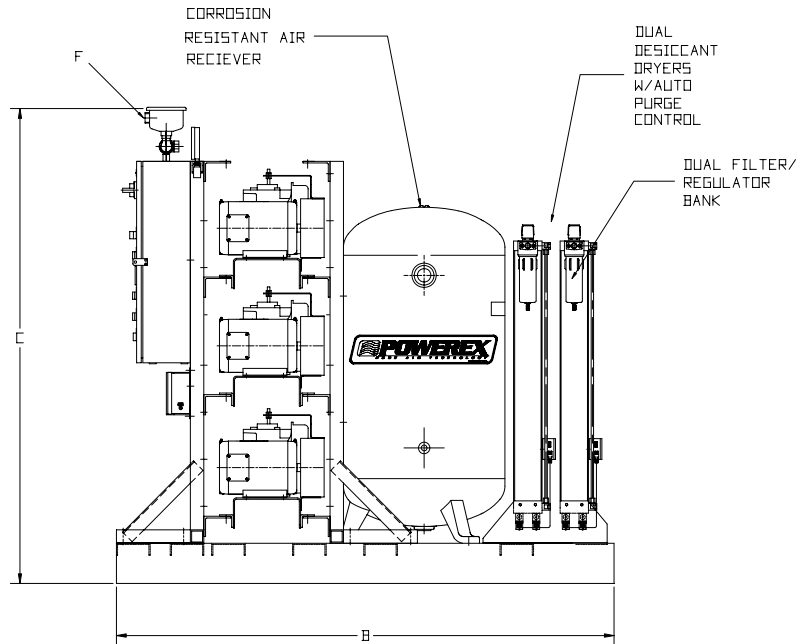
TOP VIEW

DIMENSIONS						
MODEL	DIM. A	DIM. B	DIM. C	DIM. D	DIM. E	DIM. F
MSD0203	32"	74"	69"	1/2"(F)	38"	3/4"(F)
MSD0303	32"	74"	69"	1/2"(F)	38"	3/4"(F)
MSD0503	32"	74"	69"	1/2"(F)	38"	3/4"(F)
MST0503	32"	74"	69"	1/2"(F)	38"	1"(F)
MSQ0504	32"	79"	79"	3/4"(F)	38"	1-1/2"(F)

28" MINIMUM CLEARANCE FOR EASE OF MAINTENANCE



FRONT VIEW



SIDE VIEW

Medical Scroll Package - Technical Data										
MODEL	HP <sup>1</sup>	ICFM @ 50 PSIG <sup>(1,3)</sup>	SCFM @ 100 PSIG <sup>1</sup>	TANK SIZE	BTU/HR <sup>2</sup>	dB(A) <sup>4</sup> LEVEL	SYSTEM F.L.A.			SYSTEM WEIGHT
							208V	230V	460V	
MSD0203	2	7.9	6.1	80 gal.	4,020	65	15.6	13.6	6.8	1325 lbs.
MSD0303	3	11.5	8.8	80 gal.	6,910	68	21.8	21	5.2	1325 lbs.
MSD0503	5	19.3	15.2	80 gal.	11,105	70	27.6	26.8	13.6	1425 lbs.
MST0503	10	38.6	30.4	80 gal.	22,210	72	41.4	40.2	20.4	1800 lbs.
MSQ0504	15	57.9	45.6	120 gal.	33,315	74	55.2	53.6	27.2	2175 lbs.

Notes:

1 - HP and System Capacity are shown with one or more compressors in reserve per NFP A 99

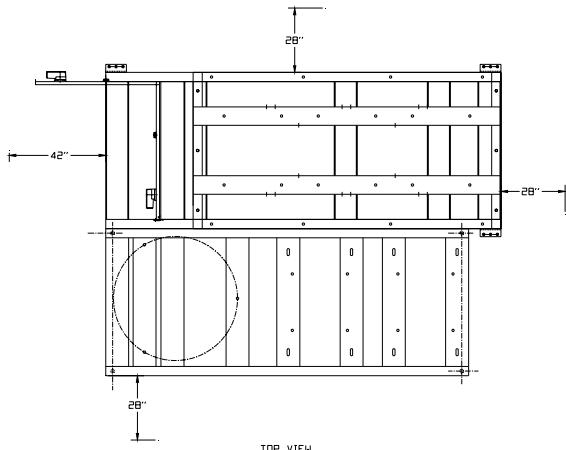
2 - BTU/HR is shown with reserve compressor(s) on standby

3 - Performances shown in ICFM (Inlet Cubic Feet per Minute) are for comparison purposes only.

Powerex recommends using performance ratings in SCFM (Standard Cubic Feet per Minute) when sizing medical air system

4 - dB(A) is shown with one or more compressors in reserve per NFP A99

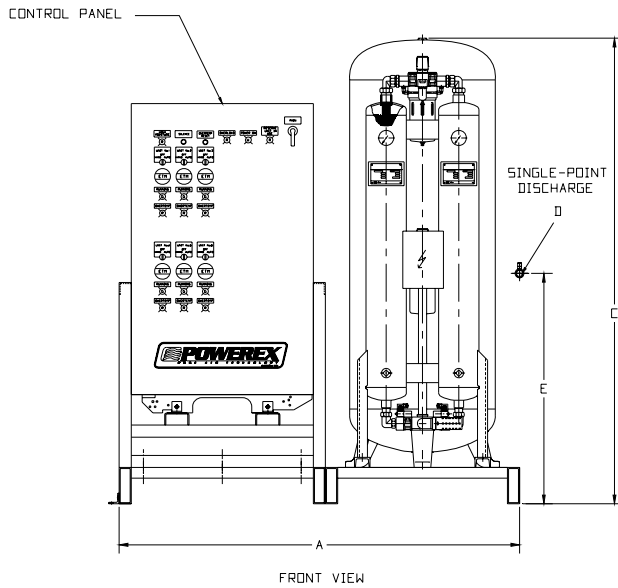
# Medical Scroll Skid Mounted Packages



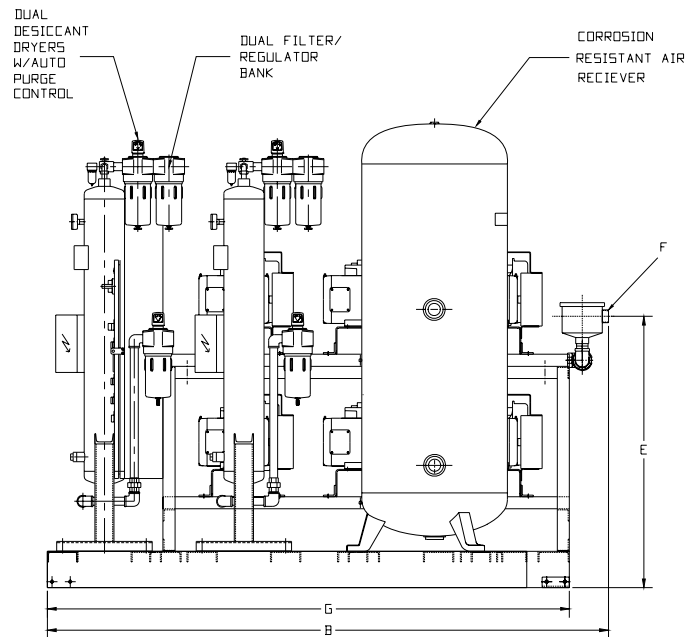
TOP VIEW

28" MINIMUM CLEARANCE FOR EASE OF MAINTENANCE

DIMENSIONS							
MODEL	DIM. A	DIM. B	DIM. C	DIM. D	DIM. E	DIM. F	DIM. G
MSD1504	66"	93"	77"	1"(F)	38"	1-1/2"(F)	86"
MSH0504	66"	93"	77"	1"(F)	38"	1-1/2"(F)	86"
MST1505	66"	93"	91"	1-1/2"(F)	73"	2"(F)	86"
MSN0505	66"	93"	91"	1-1/2"(F)	73"	2"(F)	86"
MSQ1505	66"	103"	91"	1-1/2"(F)	73"	2"(F)	100"



FRONT VIEW



Medical Scroll Package - Technical Data										
MODEL	HP <sup>1</sup>	ICFM @ 50 PSIG <sup>(1,3)</sup>	SCFM @ 100 PSIG <sup>(1)</sup>	TANK SIZE	BTU/HR <sup>2</sup>	dB(A) <sup>4</sup> LEVEL	SYSTEM F.L.A.			SYSTEM WEIGHT
							208V	230V	460V	
MSD1504	15	57.9	45.6	120 gal.	33,315	74	82.8	80.4	40.8	3,550
MSH0504	25	96.5	76.0	120 gal.	55,525	77	82.8	80.4	40.8	3,550
MST1505	30	115.8	91.2	200 gal.	66,630	78	124.2	120.6	61.2	4,800
MSN0505	40	154.4	121.6	200 gal.	88,840	79	124.2	120.6	61.2	4,800
MSQ1505	45	173.7	136.8	200 gal.	99,945	80	81.6	160.8	81.6	5,750

- Notes:
- 1 - HP and System Capacity is shown with one or more compressors in reserve per NFPA 99
  - 2 - BTU/HR Levels are shown with reserve compressor(s) on standby
  - 3 - Medical Air Systems should not be sized using ICFM. For comparison purposes only
  - Powerex recommends using performance ratings in SCFM (Standard Cubic Feet per Minute) when sizing medical air systems.
  - 4 - dB(A) is shown with one compressor in reserve per NFPA 99