



INDUSTRIAL VACUUM TANKMOUNT SYSTEMS



Vacuum Tankmount Simplex and Duplex 1-1/2 To 10 HP

Features

- Lubricated Rotary Vane Vacuum Pumps
- 29.91 in Hg End Vacuum
- Vapor Removal Gas Ballast
- Integral Coalescing Filter
- Spin-on Oil Filter
- ASME Air Receivers
- TEFC Motors
- UL-listed Nema 1 Control Panel
- IEC motor protectors
- 3 Year Pump Warranty
- 1 Year System Warranty

Optional Equipment

- High Temperature Alarm
- Low Vacuum Alarm
- Low Oil Level Alarm
- Circuit Breaker Control Panel
- Corrosion Resistant Receiver
- Vacuum Regulator
- Carbon Filters

Benefits

- Low Maintenance Cost
- Easy Installation
- Reliability
- Low Operating Temperatures



When your application demands reliability... demand Powerex's vacuum systems.

Packaging

Infusion Molding

Chemical Processing

Resin Transfer Molding

Gas Evacuation

Environmental

Food Processing

Instrumentation

Laboratories

Manufacturing Facilities

Medical

Material Handling

Printing

Forming

Pharmaceutical

Process

Liquid Recovery

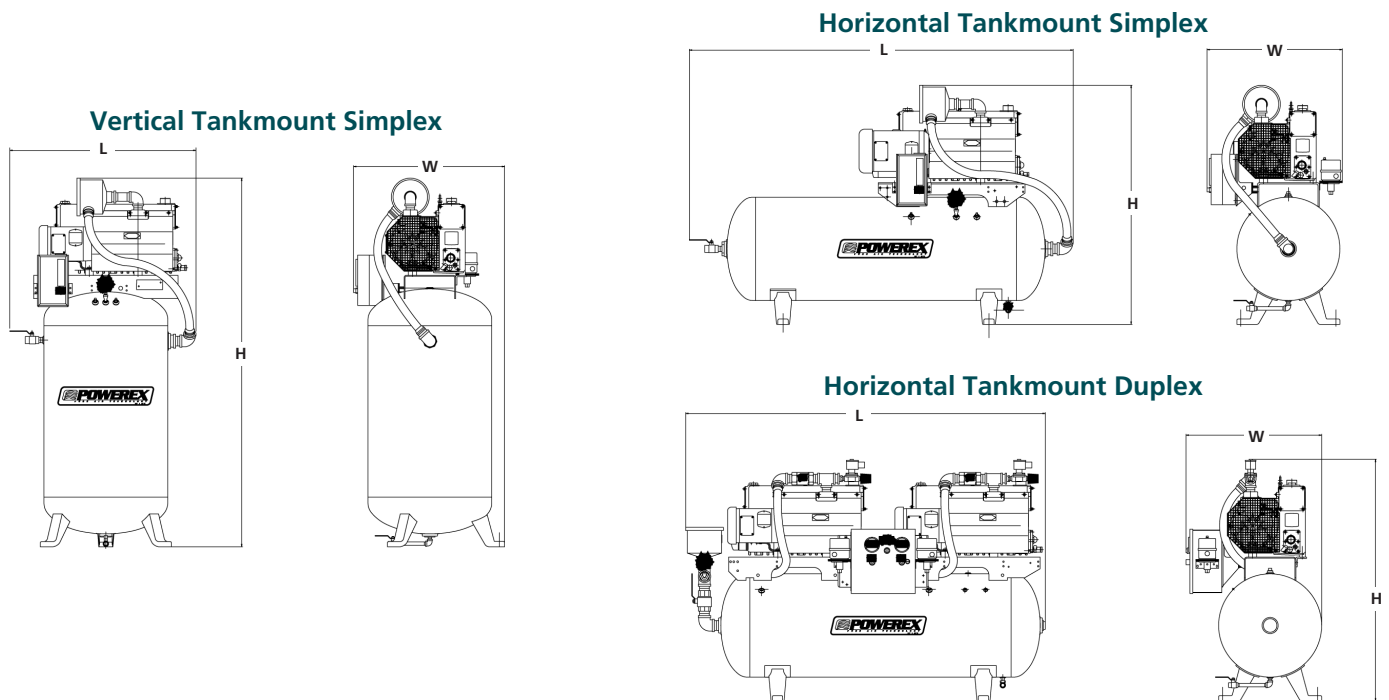
ENGINEERING SPECIFICATIONS

Industrial Tankmount Simplex and Duplex

	MODEL	HP	ACFM & SCFM @ 0" Hg	ACFM (SCFM) @ 19" Hg	ACFM (SCFM) @ 25" Hg	RPM	FULL LOAD AMP/MOTOR	VOLTAGE	TANK SIZE GAL.	DIMENSIONS L x W x H	SHIP WEIGHT (Lbs)
Simplex	IVS015	1.5	21	20.8 (7.6)	20.6 (3.4)	1725	5.3/5.0/2.5	208/230/460	30 V / 60 V	26 x 24 x 59 / 32 x 27 x 69	295 / 375
	IVS020	2	33	31.3 (11.3)	30.8 (5.1)	1725	6.5/6.2/3.1	208/230/460	60 V	32 x 27 x 69	435
	IVS030	3	46	42.6 (15.5)	41.5 (6.8)	1725	8.5/8.2/4.1	208/230/460	80 V	37 x 30 x 72	510
	IVS040	5	68	65.6 (23.9)	65.0 (10.7)	1725	15/13.2/6.6	208/230/460	80 H	75 x 27 x 47	590
	IVS050	5	106	103.9 (37.9)	103.2 (17.0)	1725	15/13.2/6.6	208/230/460	80 H	75 x 26 x 50	620
	IVS075	7.5	134	130.9 (47.8)	129.8 (21.4)	1725	22.2/21.6/10.8	208/230/460	120 H	83 x 29 x 56	930
	IVS100	10	203	196.8 (71.8)	194.9 (32.1)	1725	28/26/13	208/230/460	200 H	90 x 32 x 61	1340
Duplex	IVD015	1.5(2)	42	41.6 (15.2)	41.2 (6.8)	1725	5.3/5.0/2.5	208/230/460	80 H	71 x 40 x 26	620
	IVD020	2(2)	66	62.6 (22.8)	61.6 (10.2)	1725	6.5/6.2/3.1	208/230/460	80 H	71 x 42 x 26	740
	IVD030	3(2)	92	85.2 (31.0)	83.0 (13.6)	1725	8.5/8.2/4.1	208/230/460	120 H	78 x 30 x 51	910
	IVD040	5(2)	136	131.2 (47.8)	130.0 (21.4)	1725	15/13.2/6.6	208/230/460	120 H	78 x 31 x 53	980
	IVD050	5(2)	212	207.8 (75.8)	206.4 (34.0)	1725	15/13.2/6.6	208/230/460	120 H / 200 H	79 x 33 x 55 / 87 x 33 x 60	1040 / 1320
	IVD075	7.5(2)	268	261.8 (95.6)	259.6 (42.8)	1725	22.2/21.6/10.8	208/230/460	200 H	91 x 35 x 62	1760
	IVD100	10(2)	406	393.6 (143.6)	389.8 (64.2)	1725	28/26/13	208/230/460	240 H	95 x 53 x 62	2070

* End vacuum is 29.91" Hg, ACFM is measured at actual inlet conditions, SCFM is measured at standard conditions (68 deg F, 29.92" Hg or 14.7 psia)
 * Control panel will include a magnetic starter with overload protection, an hour meter, an on/off switch or a selector switch, an unloader solenoid valve (5HP and above), and a minimum run timer (5HP and above) for each pump. Duplex starter will include an alternator.

DIMENSIONAL DRAWINGS*



*Drawings for reference only.



150 Production Drive • Harrison, Ohio 45030 • U.S.A.
 Telephone: 1-888-769-7979 • Fax: (513) 367-3125
 www.powerexinc.com

Distributed by:

5R391100AV 6/04